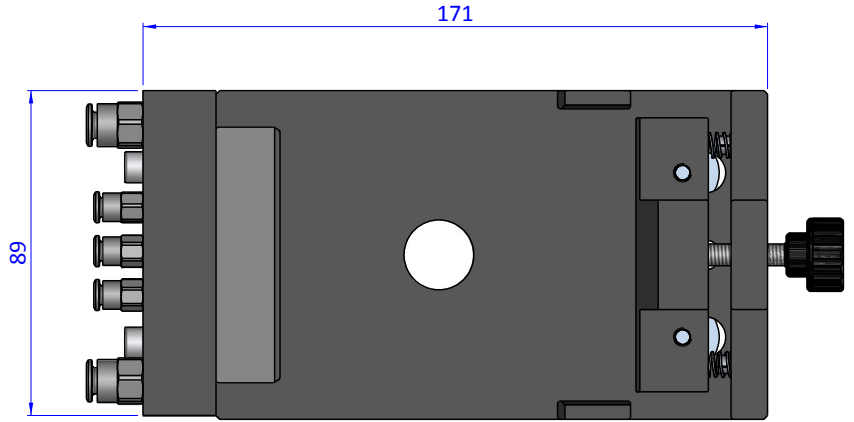
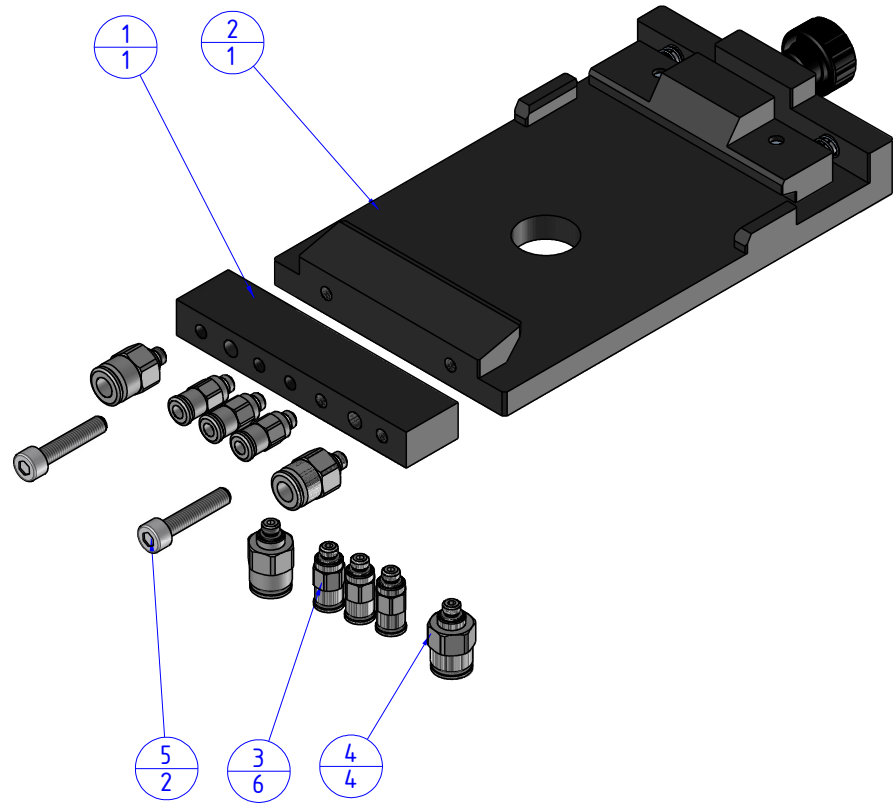
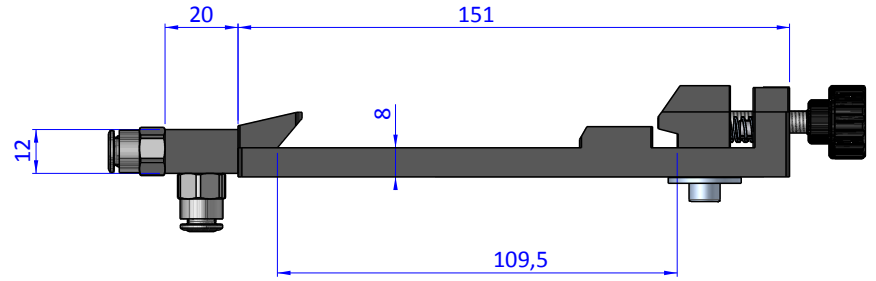


THE PROPERTY OF THE DRAWING IS ESTABLISHED BY LAW. IT IS FORBIDDEN TO PRODUCE OR SHOW IT TO THIRD PARTY, WITHOUT A WRITTEN AGREEMENT.

Item	Name	Q.ty
1	01.02.009.05	1
2	CA.01.02.007	1
3	ca.12.05.015	6
4	CA.12.05.016	4
5	V.TCE5x25	2



Format A3  
UNI 936-76

		DESIGNED FROM		REVIEW
		FPSERVICES		A
GENERAL TOLERANCE		DATE	WEIGHT	
UNI - ISO 2768		19/11/2018	0,455kg	
CLASSE f		CODE		
		CA.01.02.009		CA.01.02.009